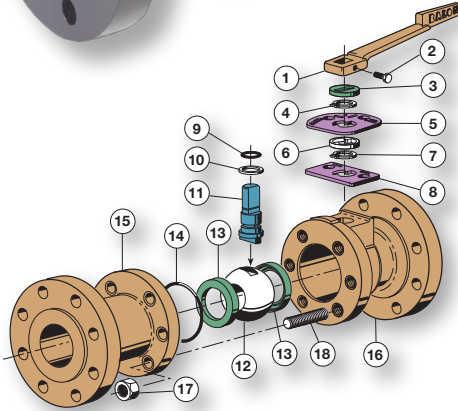
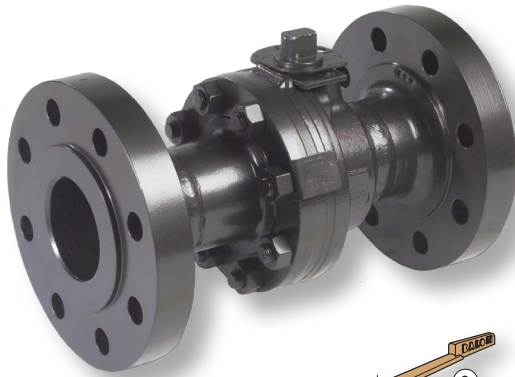


Series F Carbon Steel

Flanged End Connection

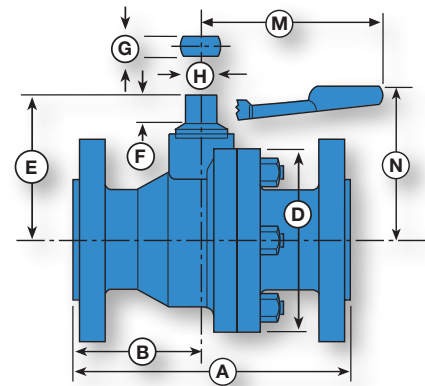
- Lever Operated Ball Valve
- ANSI Class 600 (1480 PSI WP)
- 2" Through 4"
- Bolted Body Construction



- Multi-Seal Seats
- Fire Safe Design
- NACE Valves Include 316 Stainless Steel Ball and Stem
- Rugged Locking Device Standard
- Maintenance Free Sealing

Material Description

ITEM	PART NAME	MATERIAL (STANDARD)	MATERIAL (NACE)	LOW TEMP (NACE)
1	Handle*	Ductile Iron	Ductile Iron	Ductile Iron
2	Handle Bolt	Standard Hex Bolt	Standard Hex Bolt	Standard Hex Bolt
3	Weather Guard	Polyethylene	Polyethylene	Polyethylene
4	Lock Plate Retainer	Carbon Spring Steel	Carbon Spring Steel	Carbon Spring Steel
5	Lock Plate	Carbon Steel	Carbon Steel	Carbon Steel
6	Dust Cover	Polyethylene	Polyethylene	Polyethylene
7	Stop Plate Retainer	Carbon Spring Steel	Carbon Spring Steel	Carbon Spring Steel
8	Stop Plate	Carbon Steel	Carbon Steel	Carbon Steel
9	Stem O-Ring	Buna-N	Fluorocarbon	Fluorocarbon
10	Stem Seal	TFE	TFE	TFE
11	Stem	Carbon Steel	316 Stainless Steel	316 Stainless Steel
12	Ball	Carbon Steel Nickel Chrome Plated	316 Stainless Steel	316 Stainless Steel
13	Ball Seat	Nylon (TFE Optional)	Nylon (TFE Optional)	Nylon (TFE Optional)
14	Body O-Ring	Buna-N	Fluorocarbon	Fluorocarbon
15	End Adapter	ASTMA216 GR WCB/A105	ASTMA216 GR WCB/A105	ASTMA352 LCC/A350 LF2
16	Body	ASTMA216 GR WCB/A105	ASTMA216 GR WCB/A105	ASTMA352 LCC/A350 LF2
17	Nuts	ASTM A194 2H	ASTM A194 2HM	ASTM A320 7M
18	Body Bolts	ASTM A193 B7	ASTM A193 B7M	ASTM A320 L7M



* Balon valves are designed to be operated with a standard open-end wrench.
Handle is optional.

Dimensional Data

SIZE	CATALOG NUMBER			PORT	A		B		D	E	F	G	H	M	N	LBS.	HANDLE	Cv
	STANDARD TRIM CARBON STEEL BALL & STEM	NACE TRIM 316 SS BALL & STEM	LOW TEMP 316 SS BALL & STEM		RF	RTJ	RF	RTJ										
2x1.5x2	2R-F63	2R-F63N	2R-F63NL-RF	1.5	11.5	11.62	5.06	5.12	5.37	3.62	.75	.434	.873	7.25	5	37	P-4128-DI	125
2x2x2	2F-F63	2F-F63N	2F-F63NL-RF	2	11.5	11.62	4.75	4.81	6.50	4.37	.87	.497	.998	10.25	5.37	48	P-4129-DI	-
3x2x3	3R-F63	3R-F63N	3R-F63NL-RF	2	14	14.12	5.75	5.81	6.62	4.37	.87	.497	.998	10.25	6.75	69	P-1105-DI	200
3x3x3	3F-F63	3F-F63N	3F-F63NL-RF	3	14	14.12	5.50	5.56	8	5.75	1.06	.747	1.373	20	6.75	90	P-4127-DI	-
4x3x4	4R-F63*	4R-F63N*	4R-F63NL-RF*	3	17	17.12	6.87	6.93	8.62	5.75	1.06	.747	1.373	20	6.75	154	P-4127-DI	525

* Also available with Gear Operator.

BALON

3245 S. Hattie • Oklahoma City, Oklahoma 73129 • Telephone: (405) 677-3321 • Fax: (405) 677-3917
e-mail: balon@balon.com • www.balon.com